



IDRATEK

INTELLIGENT AUTOMATION

DRB-001

Dual 4A Relay/LED/Button/Digital Input

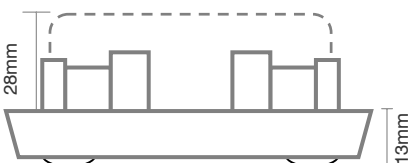
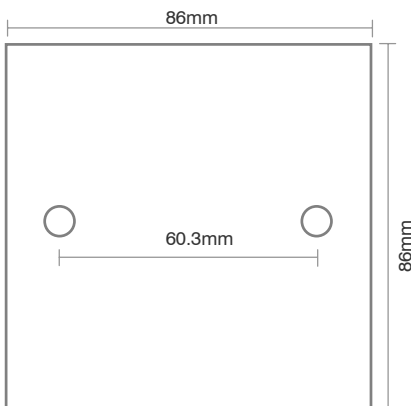
IDRATEK LTD
8 Clanfield Court
Newcastle Upon Tyne
NE3 1TZ
UK

t: +44 191 2840686
w: www.idratek.com



The information in this document is provided for guidance only. IDRATEK Ltd reserve the right to make any necessary changes, without notice, in order to improve the quality of their products.

The DRB-001 module integrates a number of basic digital input/output elements suited to functions such as lighting control, security system sensors/alarms interfacing, and general purpose medium power mains rated switching activities.



Features - Physical

- 2 * Click Effect Push Button Inputs
- 2 * Non-Isolated Digital Inputs
- 2 * General Purpose LED Indicator Outputs
- 2 * Relay Outputs (SPNO 4A/230Vac/30Vdc with Fuse and TVS protection)

Features - Functional

- All input and output states can be interrogated at any time
- Highly flexible static output state modification eg. WRITE/SET/CLEAR/TOGGLE any group or individual
- Module start-up output states are user programmable
- Powerful programmable dynamic output functions include:
 - Single shot: Delay, activity time, post activity state
 - Toggle: Period, duration
 - PWM: Mark, space, duty cycle
- All Input devices can provide independent event triggers with mode programmable trigger gating: Eg: trigger on High->Low, trigger on Low->High, trigger on either transition, trigger and latch
- Each event trigger can generate a pre-defined response and/or several user programmable responses
- Fully IDRANet Compatible
- Status indicator LED
- Module Initialise trigger

Electrical

- Operating voltage 12-15V DC
- Current consumption 17mA (nom), 60mA (max)
- 0V Reference provided for digital inputs
- Switching output capacity 4A/230Vac/30Vdc per channel

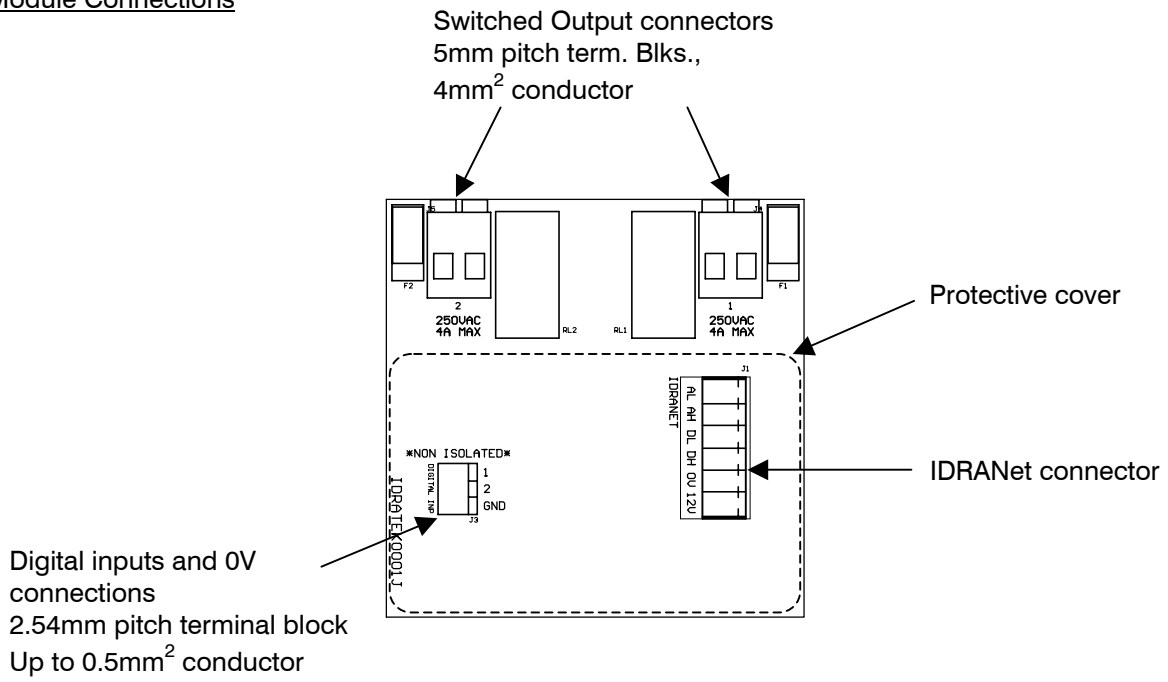
Environmental

- Operating temperature -10°C to +45°C
- Operating humidity 5% to 85% RH (non-condensing)

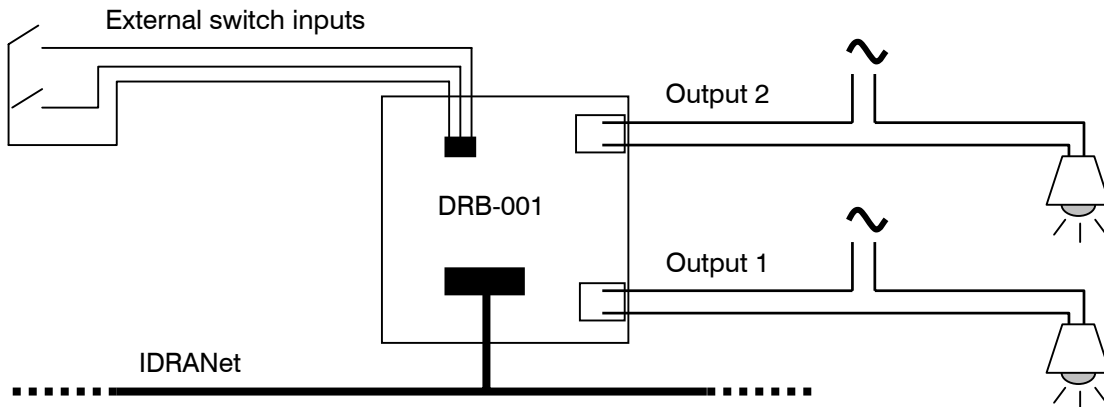
Mechanical

- Designed to fit UK standard 35mm deep electrical pattress box
- 60.3mm fixing centres using standard M3.5 screws
- Protective cover provided for low voltage cables
- Switched connections via 5mm pitch terminal block, up to 4mm² conductor cross section.
- Digital input connections via 2.54mm pitch terminal block, up to 0.5mm² conductor cross section.

Module Connections



Example connectivity



Note: Though both digital and analogue filtering are employed on all inputs, for longer (eg. >3m) normally open input connections it is advisable to take additional noise protection precautions, eg.: Use twisted pair or shielded cables (one side/shield to 0V).