



IDRATEK

INTELLIGENT AUTOMATION

MFP-003

Multifunction Panel

IDRATEK LTD
8 Clanfield Court
Newcastle Upon Tyne
NE3 1TZ
UK

t: +44 191 2840686
w: www.idratek.com



The information in this document is provided for guidance only. IDRATEK Ltd reserve the right to make any necessary changes, without notice, in order to improve the quality of their products.

The multifunctional panel comprises a powerful combination of home automation elements integrated into a single package and addressable via IDRANet. In common with other IDRATEK products the panel can be interrogated via the network, or can automatically send data or control commands to other networked devices based on a range of programmable trigger conditions.

Most importantly the MFP-003 is a module that provides full audio features. This not only enables comprehensive intercom functionality but also a means by which the user can interact with the system using audible feedback. This includes PC recorded audio such as playback of telephone messages, or synthesised speech; for example for providing prompts and other information to the user. Conversely audio input from any panel can be monitored or recorded eg. for baby monitoring, message leaving, or security applications.

A summary of the features is provided below. This list mainly outlines the physical devices included. Where an equivalent function exists in a small module the MFP-003 implementation provides almost exactly the same list of associated features. Further detail can therefore be obtained from the corresponding small module data sheet.



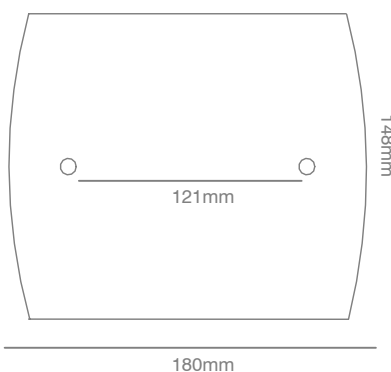
Functional elements with 'small module' equivalents

- 8 * Push Button Inputs
- 8 * LED Display Outputs
- PIR Detector 5m, 82°Vx100°H (plus connection for supplementary n/c external units)
- 2 * Independent Digital Inputs
- Light Level Sensor (8bit)
- Temperature Sensor (13bit, 0.03125°C res., +/-0.5°C)
- Relative Humidity sensor (12bit, +/-2%)
- 2 * Mains Switching Relays (Fused 4A 230Vac/30Vdc)
- IR Transceiver (16 * RX, 140 * TX)



Additional Panel Features

- Integral speaker and microphone units
- Hands-Free networked Intercom
 - Utilises IDRANet audio bus allowing multi-way connections
 - Network controllable: Hands free, receive only, transmit only
 - Network controllable Volume level
- 2 * Independent chronometers (with leap year correction)
- 2 * Independent interval timers
- Up to 44 different event triggers
- Fully IDRANet Compatible



Electrical

- Operating voltage 12-15V DC
- Current consumption 65mA (nom), 210mA (max)
- 0V Reference provided for digital inputs

Environmental

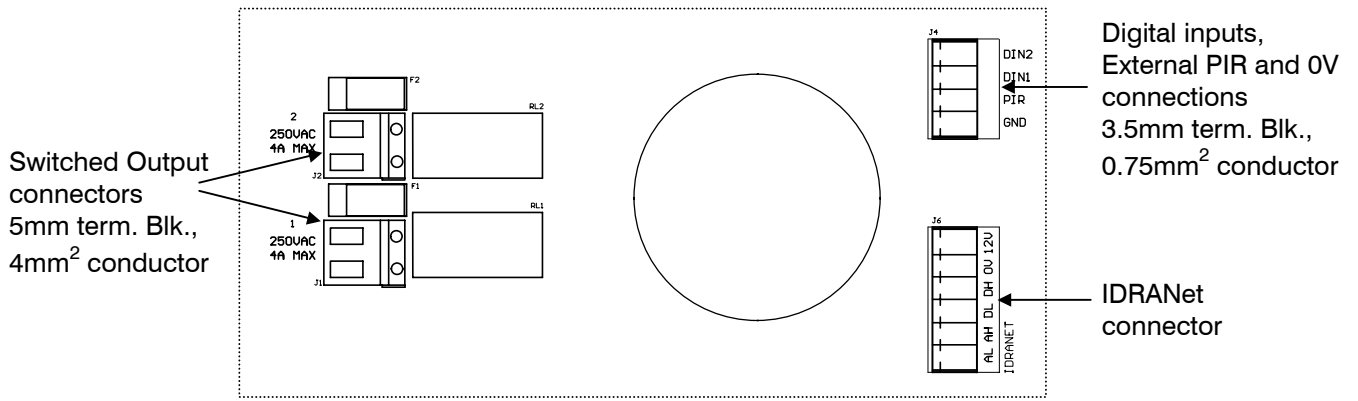
- Operating temperature 0°C to +45°C
- Operating humidity 5% to 95% (non-condensing)



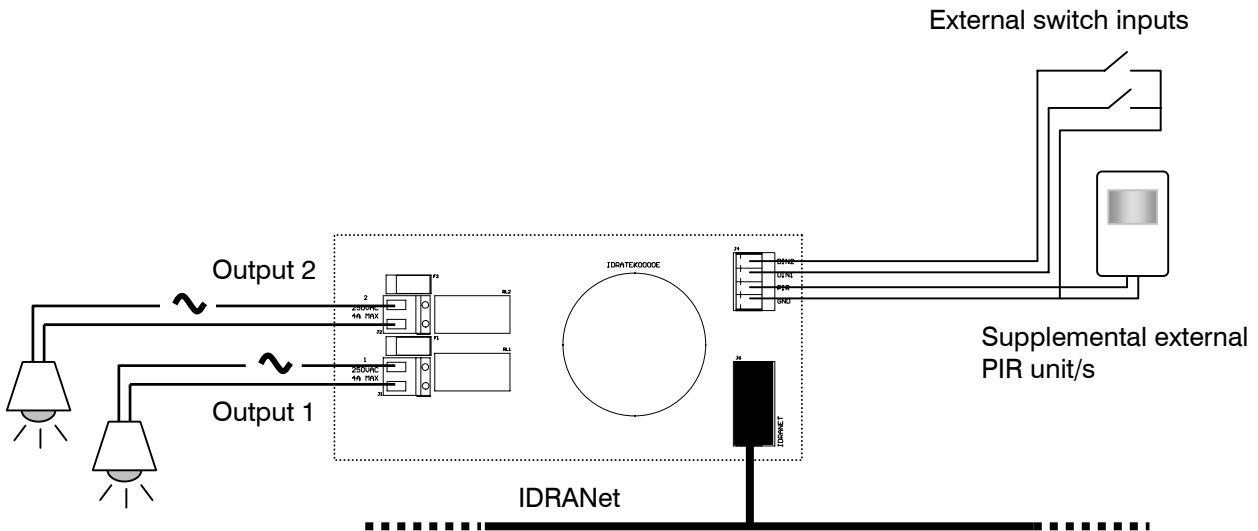
Mechanical

- Designed to fit UK style standard 35mm deep double gang electrical pattress - 121mm fixing centres using standard M3.5 screws

Module Connections



Example connectivity



Note: The supplementary external PIR connection is effectively in series with the internal PIR (to allow for normally closed type operation). If an external PIR is not connected then a wire link should be made between the PIR and GND terminals in order to enable the internal unit alone. Note that it is not possible to use an external unit alone.