



IDRATEK

INTELLIGENT AUTOMATION

QRH-001

4x 13A Relay/Digital Input

(6M DIN Enclosure)

IDRATEK LTD
8 Clanfield Court
Newcastle Upon Tyne
NE3 1TZ
UK

t: +44 191 2840686
w: www.idratek.com



The information in this document is provided for guidance only. IDRATEK Ltd reserve the right to make any necessary changes, without notice, in order to improve the quality of their products.

The QRH-001 module provides basic digital input/output elements suited to functions such as lighting control, security system sensors/alarms interfacing, and general purpose higher power mains rated switching activities. All outputs offer changeover capability.

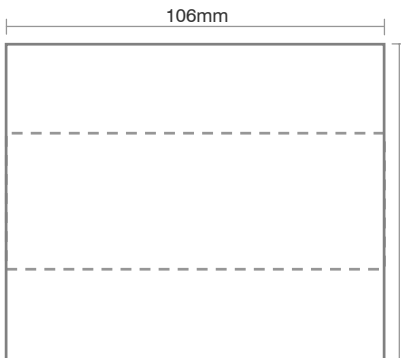
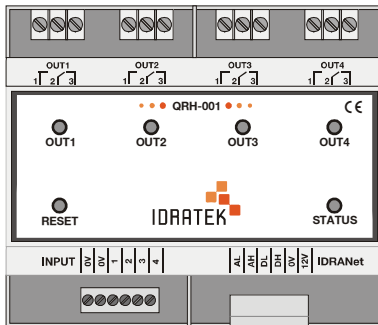


Features - Physical

- 4 x Relay Outputs (SPCO 13A/230Vac/30Vdc)
- 4 x Relay LED Indicator Outputs
- 4 x Non-Isolated Digital Inputs (Filtered)

Features - Functional

- All input and output states can be interrogated at any time
- Highly flexible static output state modification eg. WRITE/SET/CLEAR/TOGGLE any group or individual
- Module start-up output states are user programmable
- Powerful programmable dynamic output functions include:
 - Single shot: Delay, activity time, post activity state
 - Toggle: Period, duration
 - PWM: Mark, space, duty cycle
- All Inputs can provide independent event triggers with mode programmable trigger gating: Eg: trigger on High->Low, trigger on Low->High, trigger on either transition, trigger and latch
- Each event trigger can generate a pre-defined response and/or several user programmable responses
- Fully IDRANet Compatible
- Status indicator LED
- Module Initialise trigger



Electrical

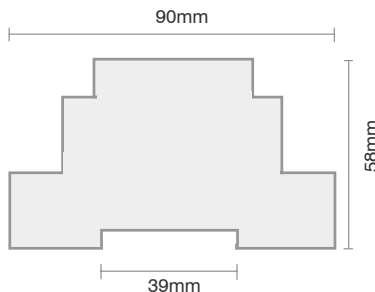
- Operating voltage 12-15V DC
- Current consumption 24mA (nom), 164mA (max)
- 0V Reference provided for digital inputs
- Switching output capacity 13A/230Vac/30Vdc per channel

Environmental

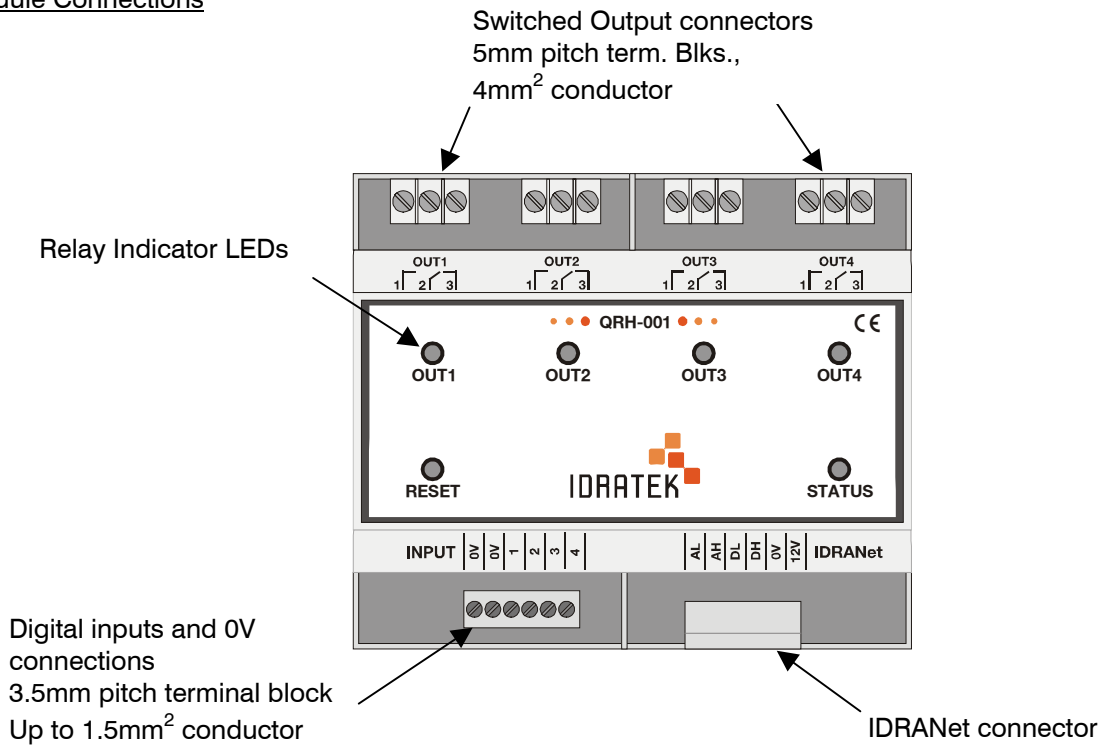
- Operating temperature -10°C to +45°C
- Operating humidity 5% to 85% RH (non-condensing)

Mechanical

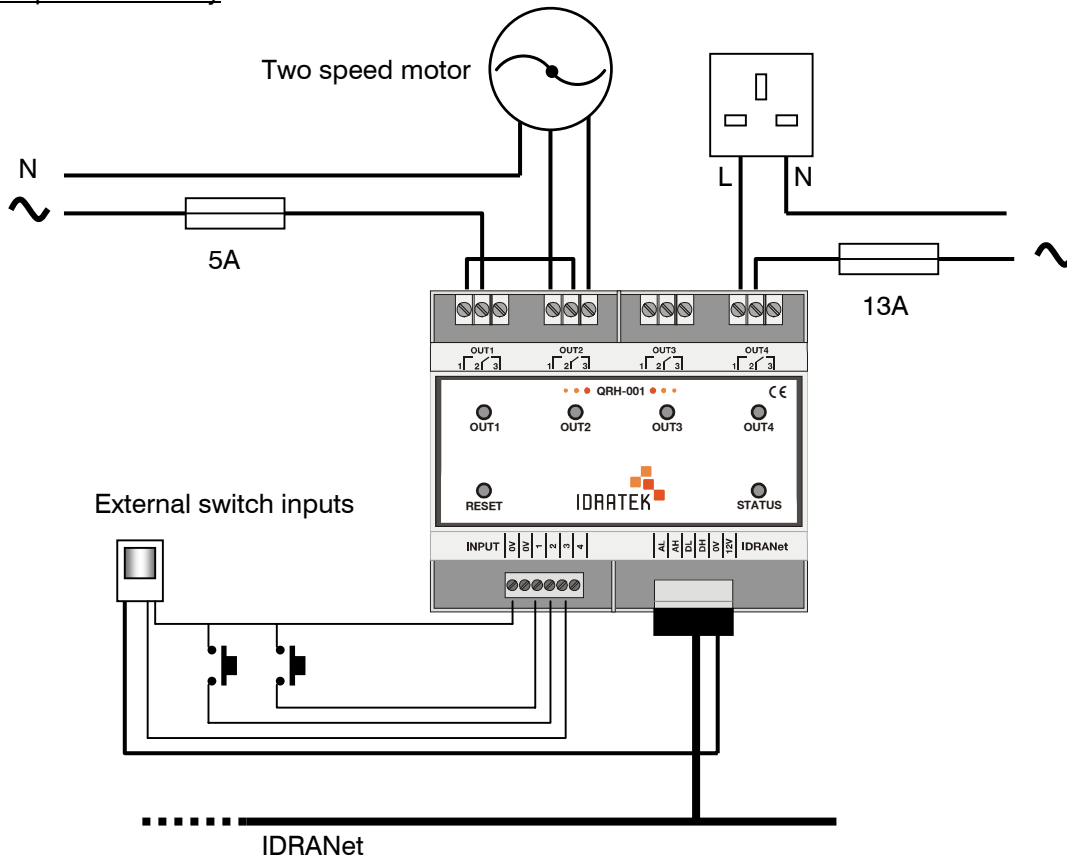
- Designed to fit standard 35mm DIN rail (6M wide)
- Switched connections via 5mm pitch terminal block, up to 4mm² conductor cross section.
- Digital input connections via 3.5mm pitch terminal block, up to 1.5mm² conductor cross section.



Module Connections



Example connectivity



Note: The QRH-001 module does not incorporate internal fuses. External fuses or circuit breakers should be fitted to suit the application and module maximum current capacity should not be exceeded