



# IDRATEK

INTELLIGENT AUTOMATION

## **QRI-002**

### **4x 4A Relay/Digital Input**

**(5M DIN Enclosure)**

IDRATEK LTD  
8 Clanfield Court  
Newcastle Upon Tyne  
NE3 1TZ  
UK

t: +44 191 2840686  
w: [www.idratek.com](http://www.idratek.com)



*The information in this document is provided for guidance only. IDRATEK Ltd reserve the right to make any necessary changes, without notice, in order to improve the quality of their products.*

The QRI-002-001 module provides basic digital input/output elements suited to functions such as lighting control, security system sensors/alarms interfacing, and general purpose medium power mains rated switching activities. All four output channels are protected by 4A fuses.

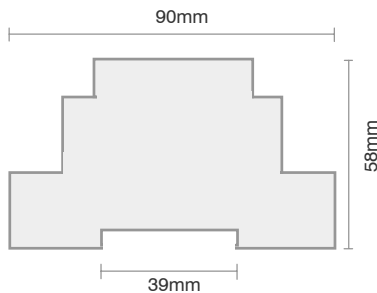
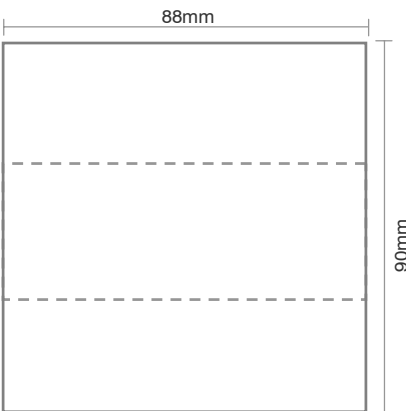
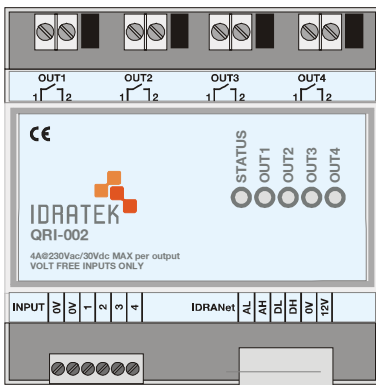


**Features - Physical**

- 4 x Relay Outputs (SPNO 4A/230Vac/30Vdc with Fuse protection)
- 4 x Relay LED Indicator Outputs
- 4 x Non-Isolated Digital Inputs (Filtered)

**Features - Functional**

- All input and output states can be interrogated at any time
- Highly flexible static output state modification eg. WRITE/SET/CLEAR/TOGGLE any group or individual
- Module start-up output states are user programmable
- Powerful programmable dynamic output functions include:
  - Single shot: Delay, activity time, post activity state
  - Toggle: Period, duration
  - PWM: Mark, space, duty cycle
- All Inputs can provide independent event triggers with mode programmable trigger gating: Eg: trigger on High->Low, trigger on Low->High, trigger on either transition, trigger and latch
- Each event trigger can generate a pre-defined response and/or several user programmable responses
- Independent Pulse counting features on all inputs (eg. for connection to suitable utility meters)
- Fully IDRANet Compatible
- Status indicator LED
- Module Initialise trigger



**Electrical**

- Operating voltage 12-15V DC
- Current consumption 24mA (nom), 94mA (max)
- 0V Reference provided for digital inputs
- Switching output capacity 4A/230Vac/30Vdc per channel
- Relay/digital isolation 4KVac 1min @50/60Hz, 8KV impulse

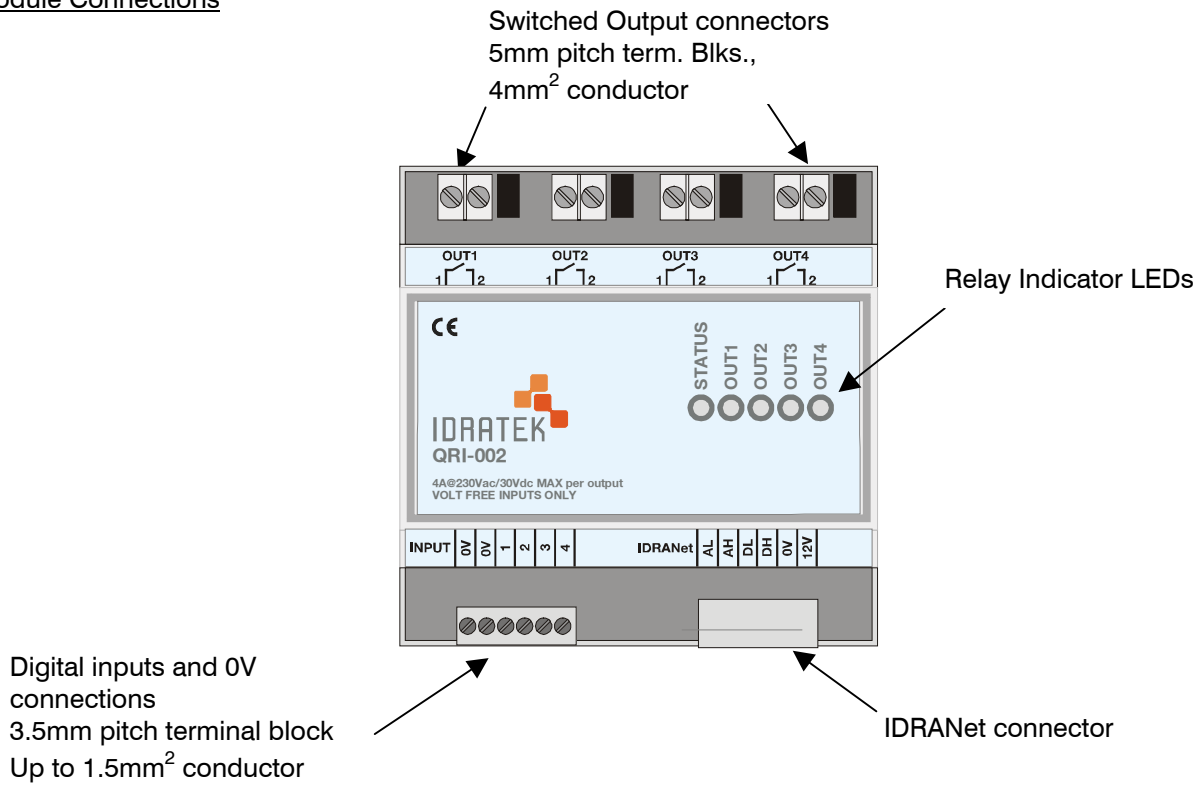
**Environmental**

- Operating temperature -10°C to +45°C
- Operating humidity 5% to 85% RH (non-condensing)

**Mechanical**

- Designed to fit standard 35mm DIN rail (5M wide)
- Switched connections via 5mm pitch terminal block, up to 4mm<sup>2</sup> conductor cross section.
- Digital input connections via 3.5mm pitch terminal block, up to 1.5mm<sup>2</sup> conductor cross section.

Module Connections



Example connectivity

