



# IDRATEK

INTELLIGENT AUTOMATION

## **DBI-001**

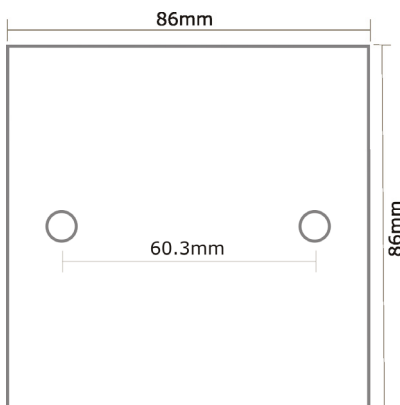
### **2 General Purpose Buttons, Digital inputs, LEDs**

© IDRATEK LTD  
w: [www.idratek.com](http://www.idratek.com)



*The information in this document is provided for guidance only. IDRATEK Ltd reserve the right to make any necessary changes, without notice, in order to improve the quality of their products.*

The DBI-001 is a general purpose button and LED input/output module. It may be used to provide simple user interface functions, for example for lighting control, blinds, heating override, etc. This module also provides two general purpose digital inputs with pulse counting capability. These may be convenient points of connection for local digital sensors such as door/window sensor or 3<sup>rd</sup> party PIR.



Physical

- 2x Positive Click Push Button Inputs
- 2x LED Indicator Outputs
- 2 \* Non-Isolated Digital Inputs with pulse counting capability

Functional

- All input and output states can be interrogated at any time
- Highly flexible static LED state modification eg. WRITE/SET/CLEAR/TOGGLE any group or individual
- Module start-up LED states are user programmable
- Powerful programmable dynamic LED controls include:
  - Single shot: Delay, activity time, post activity state
  - Toggle: Period, duration
  - PWM: Mark, space, duty cycle
- Buttons can provide independent event triggers with mode programmable trigger gating:
  - Eg: trigger on press, trigger on release, trigger on either transition, trigger and latch
- Digital Inputs can provide independent event triggers with mode programmable trigger gating:
  - Eg: trigger on High->Low, trigger on Low->High, trigger on either transition, trigger and latch
- Each event trigger can generate a pre-defined response and/or several user programmable responses.
- Module Initialise trigger
- Status indicator LED
- Fully IDRANet Compatible
- In-situ reprogrammable firmware

Electrical

- Operating voltage 12-15V DC
- Current consumption 9mA (nominal)

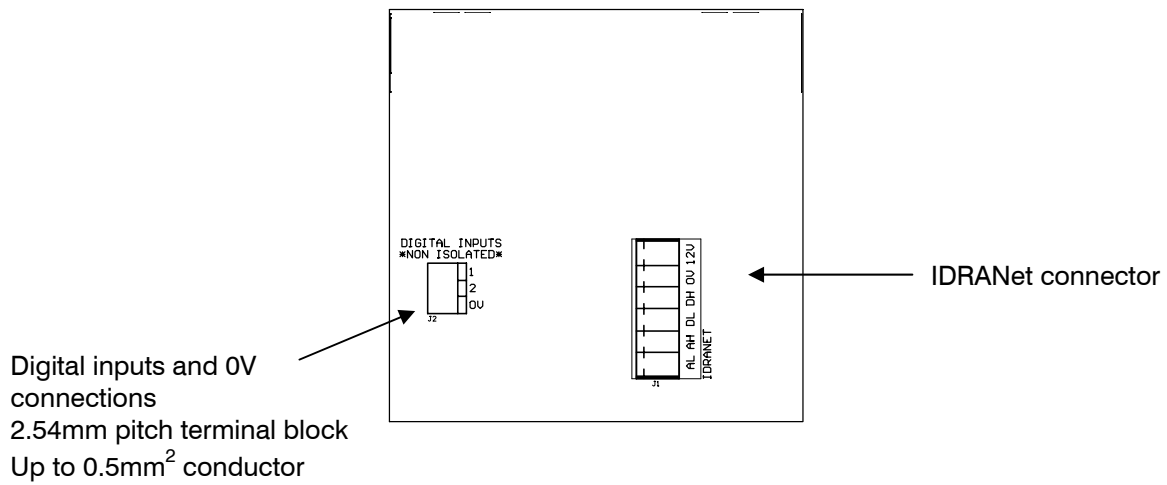
Environmental

- Operating temperature -10°C to +45°C
- Operating humidity 5% to 95% (non-condensing)

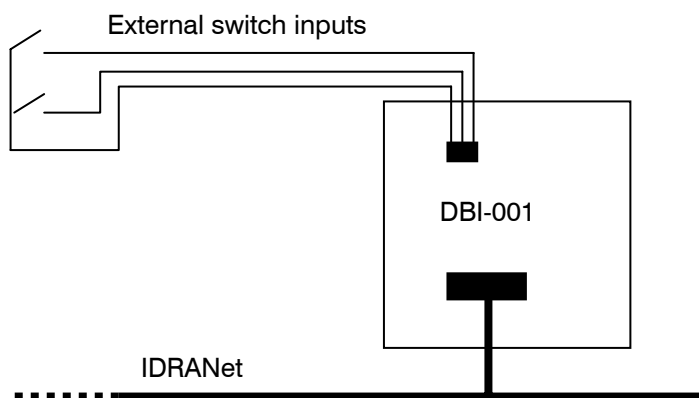
Mechanical

- Designed to fit UK standard 35mm deep electrical pattress
- 60.3mm fixing centres using standard M3.5 screws
- Digital input connections via 2.54mm pitch terminal block, up to 0.5mm<sup>2</sup> conductor cross section.

## Module Connections (Rear)



## Example connectivity



Note: Though both digital and analogue filtering are employed on all inputs, for longer (eg. >3m) normally open input connections it is advisable to take additional noise protection precautions, eg.: Use twisted pair or shielded cables (one side/shield to 0V).