



IDRATEK
INTELLIGENT AUTOMATION

DFP-H02

Multifunction Panel with Display



© IDRATEK LTD
www.idratek.com



The information in this document is provided for guidance only. IDRATEK Ltd reserve the right to make any necessary changes, without notice, in order to improve the quality of their products.

The DFP-H02 comprises a powerful combination of home automation elements integrated into a single package and addressable via IDRANet. In common with other IDRATEK products the panel can be interrogated via the network, or can automatically send data or control commands to other networked devices based on a range of programmable trigger conditions.

With its display, buttons, backlight indicators, and audio features, the DFP-H02 is eminently suited as a user interface point in each room. The provision of a rich sensory set as well as relay switching outputs further enhance its efficiency in terms of providing a significant contribution towards the overall requirement of sensors and actuators necessary for whole house automation. A summary of the features is provided below.

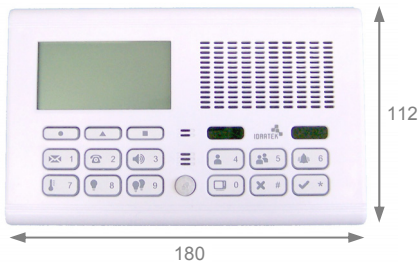


User Interface elements

- 64x128 transfective LCD display with RGB backlight (brightness and colour controllable)
- 15 Push Button Inputs
- Blue+Red button backlights with independent brightness and state control (backlighting and indication purposes)
- 2 concealed push buttons e.g. for volume control function

Audio functions

- Integral speaker and microphone units
- Hands-Free networked Intercom
 - Utilises IDRANet audio bus allowing multi-way connections
 - Network controllable: Hands free, receive only, transmit only
 - Network and locally controllable volume level

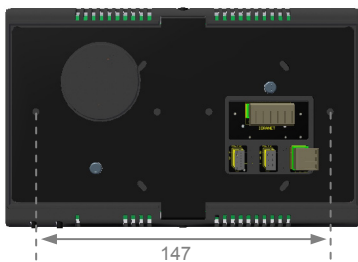


Sensory/Output functions

- PIR Detector 5m, 82°Vx100°H
- Light Level Sensor (8bit)
- Temperature Sensor (13bit, 0.03125°C res., +/-0.5°C)
- Relative Humidity sensor (12bit, +/-2%)
- 2 Independent Digital Inputs
- 4 relay drive outputs (eg. for light switching)

Infra-Red Control functions

- IR Receiver trainable to most handsets.
- 16 onboard stores for arbitrary frame sets
- IR Transmitter trainable for control of 3rd party appliances
- 140 onboard stores for arbitrary frame sets
- RC5 decoding / Direct synthesis of RC5 codes



Additional Panel Features

- 2 Independent chronometers (with leap year correction)
- 2 Independent interval timers
- Up to 44 different event triggers
- Fully IDRANet Compatible

Electrical

- Operating voltage 12-15V DC
- Current consumption 52mA (nom), 210mA (max) + 82mA per XRM-001

Environmental

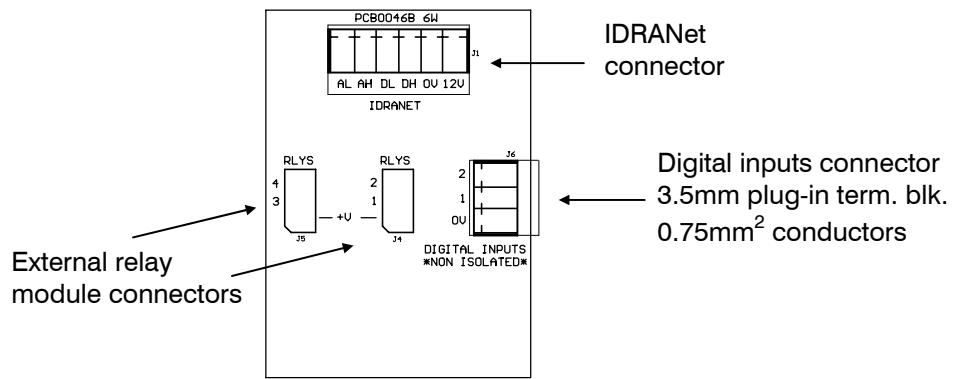
- Operating temperature 0°C to +40°C
- Operating humidity 5% to 95% (non-condensing)



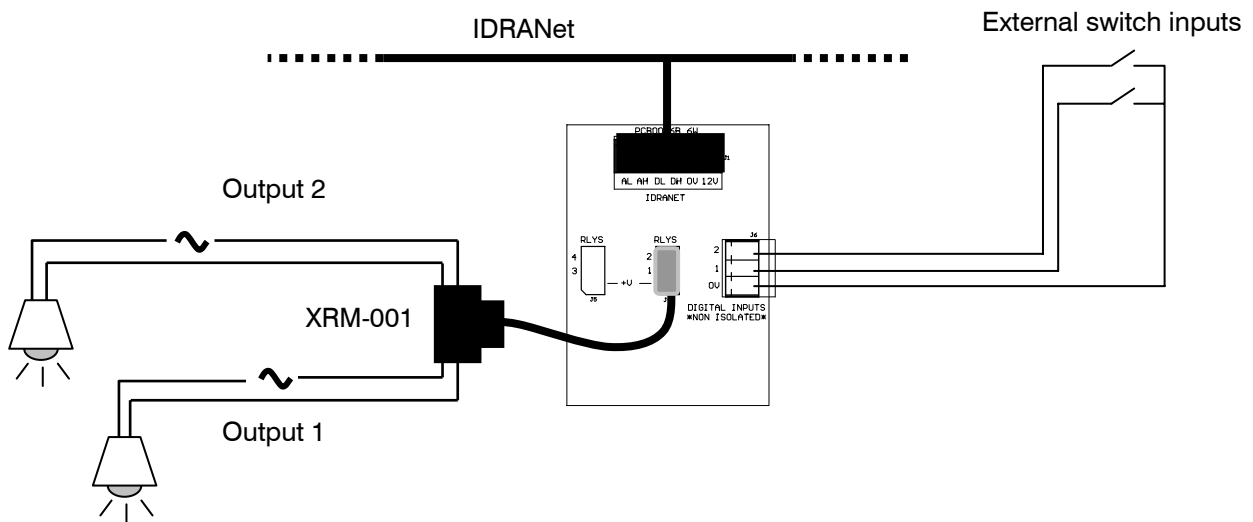
Mechanical

- Designed to fit UK style standard 35mm deep dual gang electrical pattress using supplied steel mounting plate

Module Connections



Example connectivity



Note: External relay modules are provided as a separate accessory (E.g. XRM-001). Although provision for 4 relay connections is provided, typical fitting utilising a UK style dual gang back box will only accommodate one XRM-001 module (2 SPCO relay channels)

Mounting diagram

