



IDRATEK

INTELLIGENT AUTOMATION

QRI-002

4x 4A Relay/Digital Input

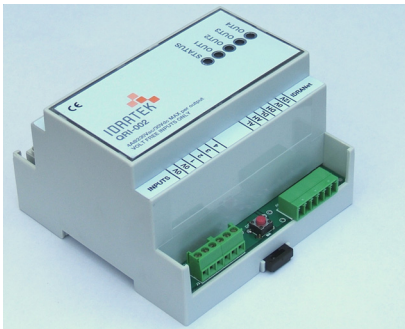
(5M DIN Enclosure)



© IDRATEK LTD
w: www.idratek.com

The information in this document is provided for guidance only. IDRATEK Ltd reserve the right to make any necessary changes, without notice, in order to improve the quality of their products.

The QRI-002 module provides basic digital input/output elements suited to functions such as lighting control, security system sensors/alarms interfacing, and general purpose medium power mains rated switching activities. All four output channels are protected by 4A fuses. This module also offers a pulse counting feature on digital inputs

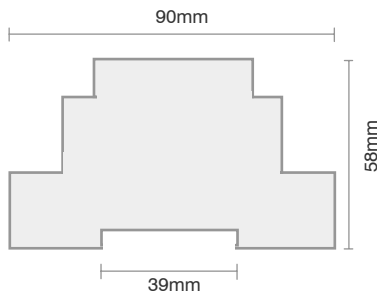
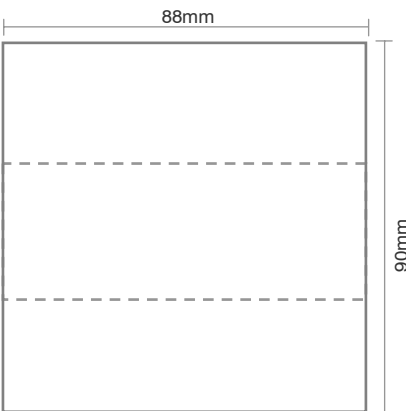
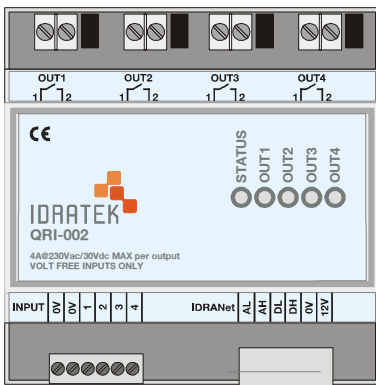


Features - Physical

- 4 x Relay Outputs (SPNO 4A/230Vac/30Vdc with Fuse protection)
- 4 x Relay LED Indicator Outputs
- 4 x Non-Isolated Digital Inputs (Filtered)

Features - Functional

- All input and output states can be interrogated at any time
- Highly flexible static output state modification eg. WRITE/SET/CLEAR/TOGGLE any group or individual
- Module start-up output states are user programmable
- Powerful programmable dynamic output functions include:
 - Single shot: Delay, activity time, post activity state
 - Toggle: Period, duration
 - PWM: Mark, space, duty cycle
- All Inputs can provide independent event triggers with mode programmable trigger gating: Eg: trigger on High->Low, trigger on Low->High, trigger on either transition, trigger and latch
- Module Initialise trigger
- Each event trigger can generate a pre-defined response and/or several user programmable responses
- Independent Pulse counting features on all inputs (eg. for connection to suitable utility meters)
- In-situ reprogrammable firmware
- Status indicator LED



Electrical

- Operating voltage 12-15V DC
- Current consumption 14mA (nom), 108mA (max)
- 0V Reference provided for digital inputs
- Switching output capacity 4A/230Vac/30Vdc per channel
- Relay/digital isolation 4KVac 1min @50/60Hz, 8KV impulse

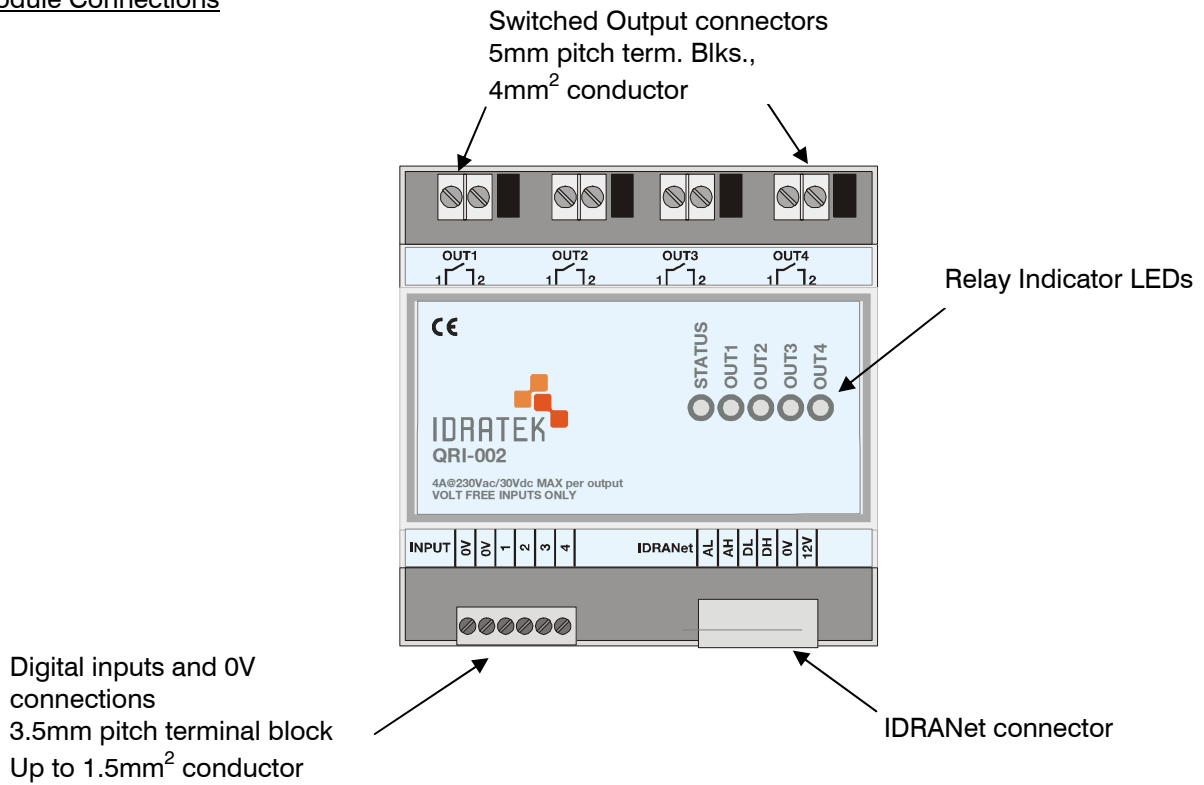
Environmental

- Operating temperature -10°C to +45°C
- Operating humidity 5% to 85% RH (non-condensing)

Mechanical

- Designed to fit standard 35mm DIN rail (5M wide)
- Switched connections via 5mm pitch terminal block, up to 4mm² conductor cross section.
- Digital input connections via 3.5mm pitch terminal block, up to 1.5mm² conductor cross section.

Module Connections



Example connectivity

