



# IDRATEK

INTELLIGENT AUTOMATION

## **SRH-002**

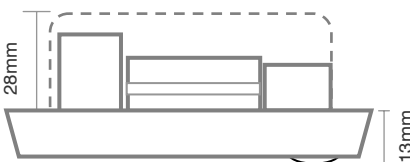
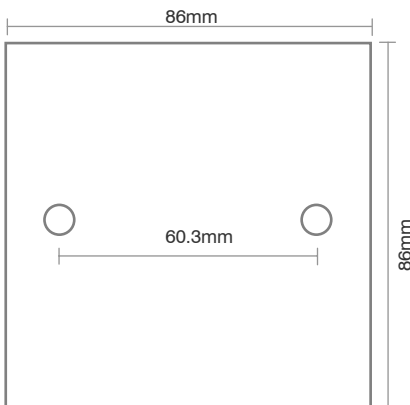
# **Single 10A Fused Relay/LED/Button + Dual Digital Inputs**

© IDRATEK LTD  
w: [www.idratek.com](http://www.idratek.com)



*The information in this document is provided for guidance only. IDRATEK Ltd reserve the right to make any necessary changes, without notice, in order to improve the quality of their products.*

The SRH-002 module integrates a number of basic digital input/output elements suited to functions such as appliance control, security system sensors/alarms interfacing, and general purpose high power mains rated switching activities. The Change Over relay contacts allow for arrangements where the switched power falls back to an 'ON' state in the event of network power loss. The switched circuit is protected using a 10A onboard fuse.



#### Physical

- 1 x Positive Click Push Button Input
- 2 x Non-Isolated Digital Inputs with pulse counting capability
- 1 x Button LED Indicator Output
- Single Relay Output (SPCO fused to 10A/250Vac)
- Green status indicator LED

#### Functional

- All input and output states can be interrogated at any time
- Highly flexible static output state modification eg. WRITE/SET/CLEAR/TOGGLE any group or individual
- Module start-up output states are user programmable
- Powerful programmable dynamic output functions include:
  - Single shot: Delay, activity time, post activity state
  - Toggle: Period, duration
  - PWM: Mark, space, duty cycle
- All Input devices can provide independent event triggers with mode programmable trigger gating:
  - Eg: trigger on High->Low, trigger on Low->High, trigger on either transition, trigger and latch
- Module Initialise trigger
- Each event trigger can generate a pre-defined response and/or several user programmable responses.
- Pulse counting capability on digital inputs
- In-situ reprogrammable firmware

#### Electrical

- Operating voltage 12-15V DC
- Current consumption 9mA (nom), 55mA (max)
- 0V Reference provided for digital inputs
- Switching output capacity 10A/250Vac/30Vdc

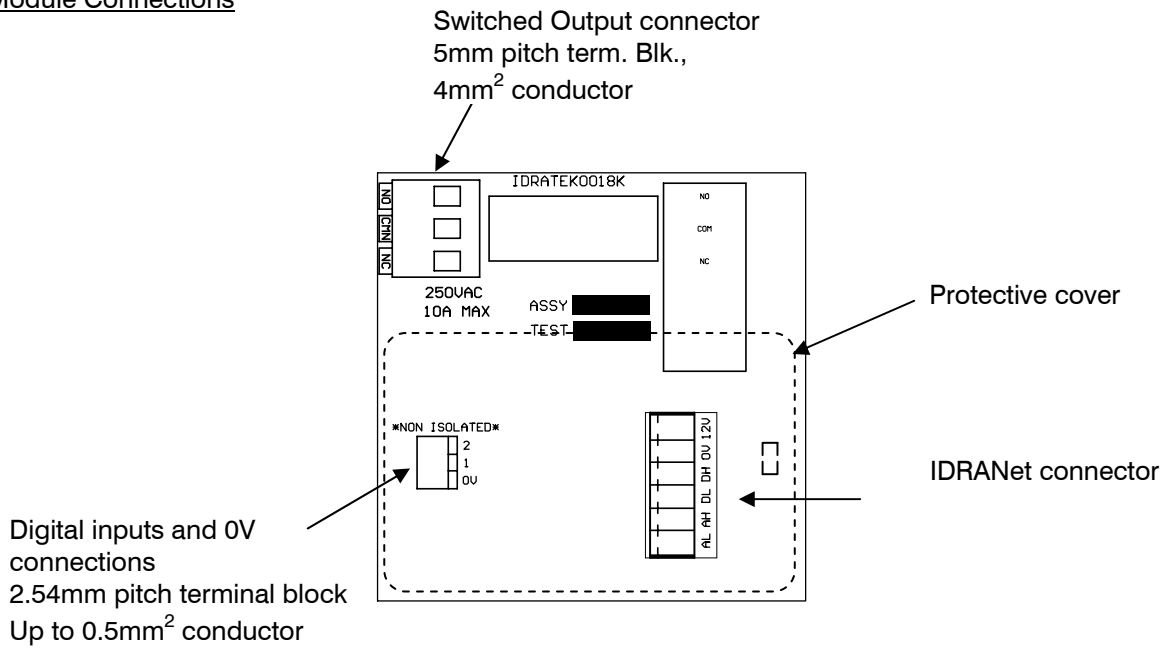
#### Environmental

- Operating temperature  $-10^{\circ}\text{C}$  to  $+45^{\circ}\text{C}$
- Operating humidity 5% to 95% (non-condensing)

#### Mechanical

- Designed to fit UK standard 35mm deep electrical pattress
- 60.3mm fixing centres using standard M3.5 screws
- Protective cover provided for low voltage cables
- Switched connections via 5mm pitch terminal block, up to  $4\text{mm}^2$  conductor cross section.
- Digital input connections via 2.54mm pitch terminal block, up to  $0.5\text{mm}^2$  conductor cross section.

Module Connections



Example connectivity

