



# IDRATEK

INTELLIGENT AUTOMATION

## **XRM-001**

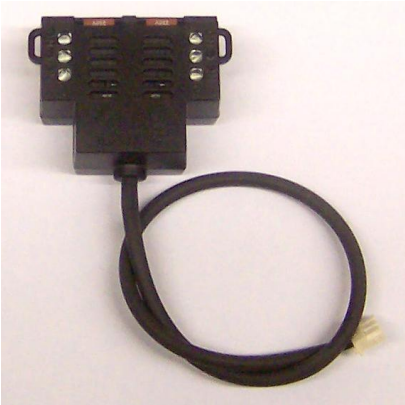
### **Dual channel plug in relay accessory**

© IDRATEK LTD  
[www.idratek.com](http://www.idratek.com)



*The information in this document is provided for guidance only. IDRATEK Ltd reserve the right to make any necessary changes, without notice, in order to improve the quality of their products.*

# XRM-001



The XRM-001 is a plug in accessory for modules such as the DFP-H02. It provides 2 relay switched output channels each with single pole changeover contacts and protected by on board fuses

## Electrical

- Operating voltage (IDRANet) 12-15V DC
- Current consumption (IDRANet) 81mA max.
- Fused switching capacity 4A/230Vac/30Vdc per channel

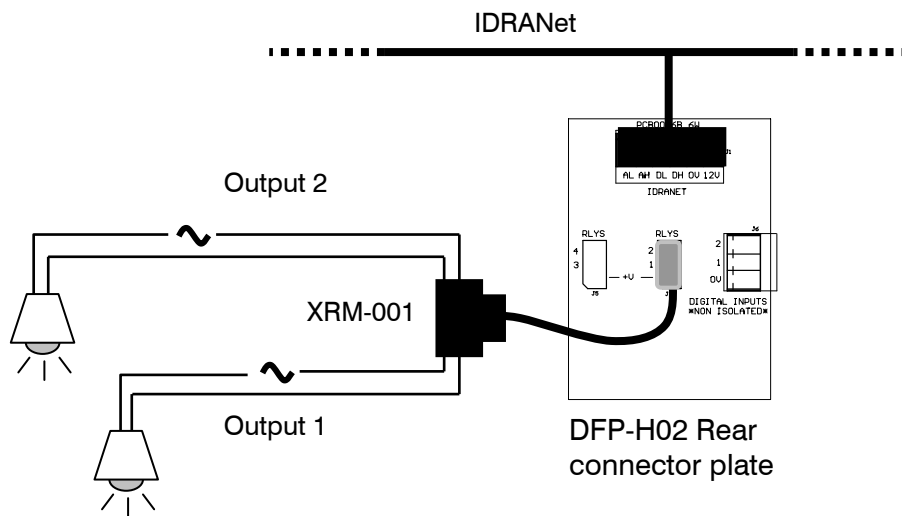
## Environmental

- Operating temperature  $-10^{\circ}\text{C}$  to  $+45^{\circ}\text{C}$
- Operating humidity 5% to 85% RH (non-condensing)

## Mechanical

- Designed to fit 35mm deep dual gang UK style pattress box
- Switched connections via 5mm pitch terminal block, up to  $4\text{mm}^2$  conductor cross section.

## Example connectivity



## Fitting diagram

See overleaf

