



# IDRATEK

INTELLIGENT AUTOMATION

## **ITM-001 Infra-Red Transmitter**

IDRATEK LTD  
8 Clanfield Court  
Newcastle Upon Tyne  
NE3 1TZ  
UK

t: +44 191 2840686  
w: [www.idratek.com](http://www.idratek.com)



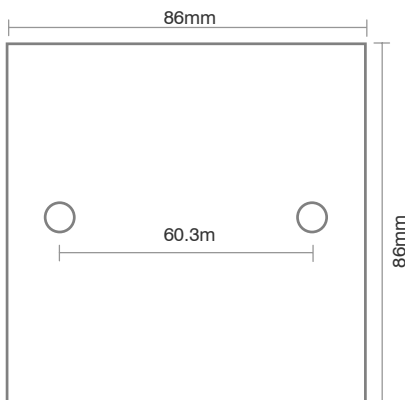
*The information in this document is provided for guidance only. IDRATEK Ltd reserve the right to make any necessary changes, without notice, in order to improve the quality of their products.*

The ITM-001 Infra-Red Remote Control transmitter allows IDRANet control of domestic appliances equipped with a standard IR based remote control facility, for example most audio and video equipment, fans, air conditioning units, electric curtains etc. Transmission codes are fully re-trainable and learnt codes are stored in onboard non-volatile memory. This module is also capable of receiving and re-emitting code frames from networked IR receiver capable modules in order to implement flexible remote control extender functions.



**Features – Transmitter**

- Can emit up to 140 different user trained codes from onboard non-volatile memory, allowing efficient single packet control of 140 domestic appliance functions per module
- Specific support for direct generation of Philips RC5 protocol frames
- Arbitrary code frames can be assembled and emitted using network transmitted data allowing, for example, extra frame storage on a central server.
- Assembly and emission of relayed IR code data from any other IR RX capable module on the network – provides domestic appliance ‘remote control extender’ functionality.
- External IR transmitter connection (allows guaranteed optical coupling to target device)



**Features – General**

- Fully IDRANet Compatible
- Status indicator LED
- Infra-Red Activity Indicator
- Module Initialise trigger

**Electrical**

- Operating voltage 12-15V DC
- Current consumption 28mA (nom), 35mA (max)

**Environmental**

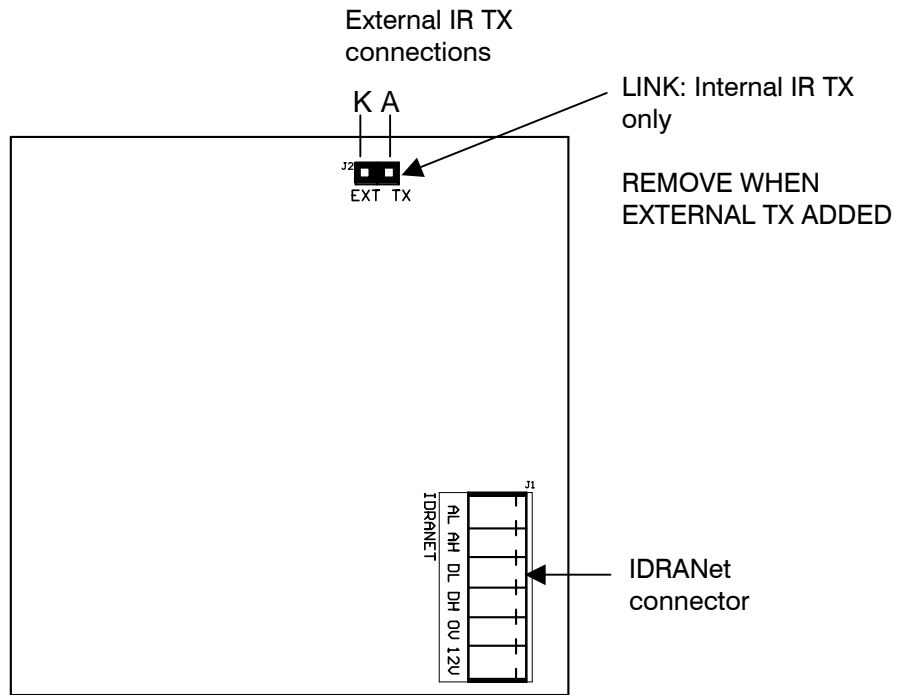
- Operating temperature -10°C to +45°C
- Operating humidity 5% to 95% (non-condensing)



**Mechanical**

- Designed to fit UK style standard 35mm deep electrical pattress
- 60.3mm fixing centres using standard M3.5 screws

Module Connections



Example Connections

