



IDRATEK

INTELLIGENT AUTOMATION

MPD-001

Mini Power Distribution, bus loading and protection module

IDRATEK LTD
8 Clanfield Court
Newcastle Upon Tyne
NE3 1TZ
UK

t: +44 191 2840686
w: www.idratek.com



The information in this document is provided for guidance only. IDRATEK Ltd reserve the right to make any necessary changes, without notice, in order to improve the quality of their products.

The MPD-001 is intended to provide a low cost means for setting up a basic network structure. The module comprises the necessary bus loading circuits, 4 fused network connection headers and a fused connection for an external DC power supply.

For convenience the DC power supply can either be connected using a 2.1mm jack socket situated on the front of the module, or via a terminal block on the rear. Only one connection point should ever be used.



Features

- 4 IDRANet spur connection headers
- Power bus fuse on each spur (1A each)
- Power indicator LED for each spur
- 2.1mm DC jack connection point for external DC supply
- Alternative terminal block style connection point for DC supply
- DC Supply reverse polarity protection
- DC supply protection fuse (2A)
- Digital and audio bus loading circuits
- Transient protection circuits



Electrical

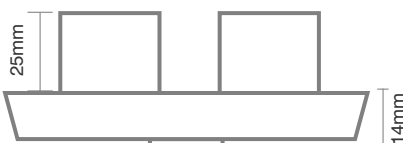
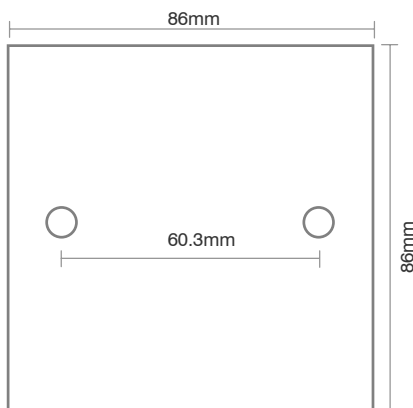
- External DC supply: 12-15V DC regulated
- Maximum total supply current: 2A
- Maximum current per IDRANet spur: 1A

Environmental

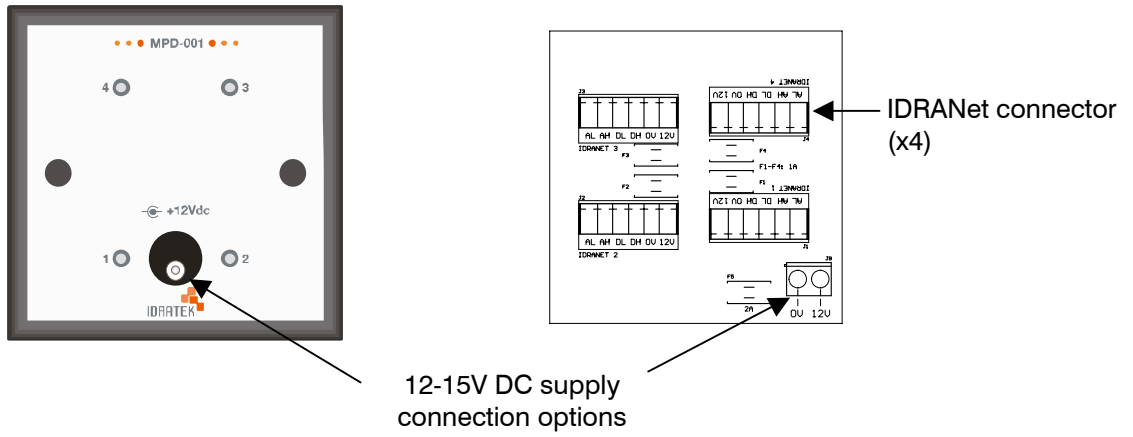
- Operating temperature -10°C to +45°C
- Operating humidity 5% to 95% (non-condensing)

Mechanical

- Designed to fit UK style standard 35mm deep electrical pattrass
- 60.3mm fixing centres using standard M3.5 screws



Module Connections



Example Connectivity

